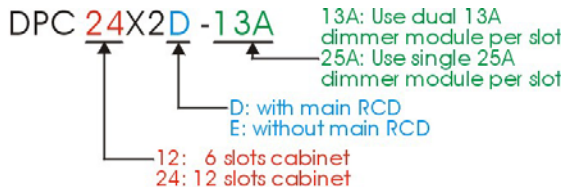


DPC Dimmer Cabinets

- DPC24X2D-13A DPC12X2D-13A
- DPC24X2D-25A DPC12X2D-25A
- DPC24X2E-13A DPC12X2E-13A
- DPC24X2E-25A DPC12X2E-25A

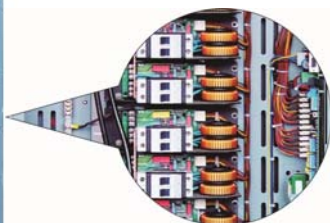
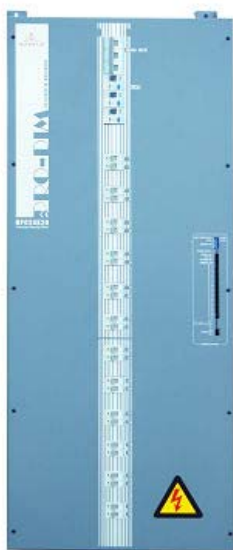


DPC Dimmer Modules

- DPC-13D Dual 13A dimmer module
- DPC-25D Single 25A dimmer module
- ADC-10L Dual 10A Non-dim module
- ADC-20L Single 20A Non-dim module



DPC24X2D



DPC12X2D



DPC dimmer cabinet is a digital dimmer system designed for both entertainment and architectural lighting applications. The modular design offers various output power rating combined in one cabinet and this feature suits most lighting design requirements. DPC cabinet is also designed for easy installation, just like an MCB board.

Mechanical Data

Construction	Zinc anodized steel sheet
Paint / finish	Blue epoxy-polyester powder paint
Mounting	Wall mounted by 4 x M8 screws
Top	One 76x150mm hole for power cables 1 or 2 dia.33mm hole for signal cable
Bottom	Slot openings for air convection

Electrical Data

Power input	380VAC~420VAC three phases four wires plus earth OR 200VAC ~ 240VAC single phase two wires plus earth
Frequency	45Hz-65Hz auto-sensing
Main Input	110A/380V 3 phase MCB (DPC24) for max 50 mm ² cable 55A/380V 3 phase MCB (DPC12) For max 35 mm ² cable
RCD protection	optional 30mA RCD for 3 phases main input
Max power	DPC24X2D/ DPC24X2E: 68640 VA DPC12X2D/ DPC12X2E: 34320 VA
Channel protection	Electromagnetic MCB
Output Connector	Via 4mm terminals
Cooling fan	Ultra silent constant speed exhaust fan
Dimmer duty cycle	100%

Operational Data

Input signal	USITT DMX512-A
LED status indicator	System, DMX signal, Panic, Power A/B/C phase, individual channel level indicators
Starting address	Set by dip switch at front panel for cabinet number and 12/24 channels
Panic	Internal 8V panic supply for remote panic switch connection; Individual channel panic selection by internal dip switch
Input DMX signal loss	Last scene hold / Clear mode
Modular design	Various modules for any combination
Dimming curve	S Law

Dimmer Module

Module	DPC-13D	DPC-25D	ADC-10L	ADC-20L
Description	Dual 13A dimmer module	Single 25A dimmer module	Dual 10A Non-dim module	Single 20A Non-dim module
MCB rating current	13A	25A	10A	20A
Channel protection	Electromagnetic MCB			
Breaking capacity	6kA			
Max. load per channel	13A	25A	10A	20A
Rise time	40 μs	80 μs	-	-
Connection	1. MCB output: for battery maintained circuit/ temporary circuit connection 2. Dim output: normal dimming connection			

Environmental Data

Operation humidity	5-95% non-condensing
Operation temperature	0-40°C (32-104°F)
Installation place	indoor
Heat Dissipation	2000 Btu/hr (DPC12) 4000 Btu/hr (DPC24)

Standards

CE LVD directives and standards complied	73/23/EEC, 93/68/EEC EN60598-1:1997
CE EMC directives and standards complied	89/336/EEC, 92/31/EEC EN61000-3-2; EN61000-3-3:1995 EN55103-1; EN55103-2:1997; IEC60529
Weatherproof rating	IP20

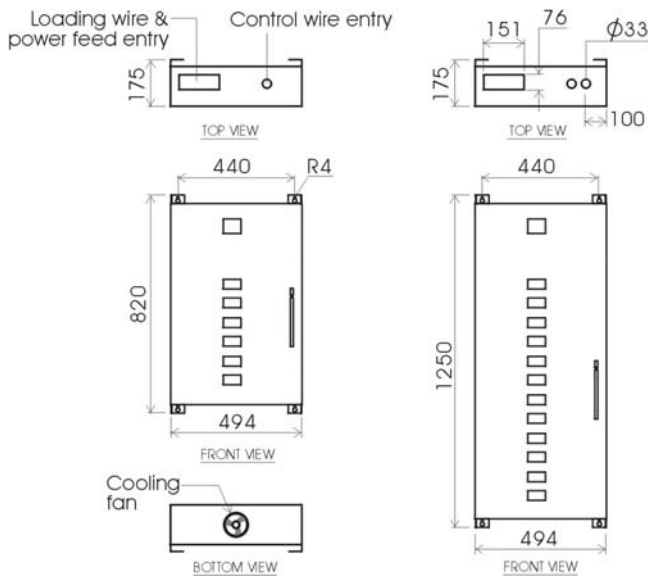
Physical Data

Model	DPC12X2D / DPC12X2E	DPC24X2D / DPC24X2E
Weight (with full configuration)	30kg	45kg
Size (mm)	W / H / D 494*820*175	W / H / D 494*1250*175

Ordering Information

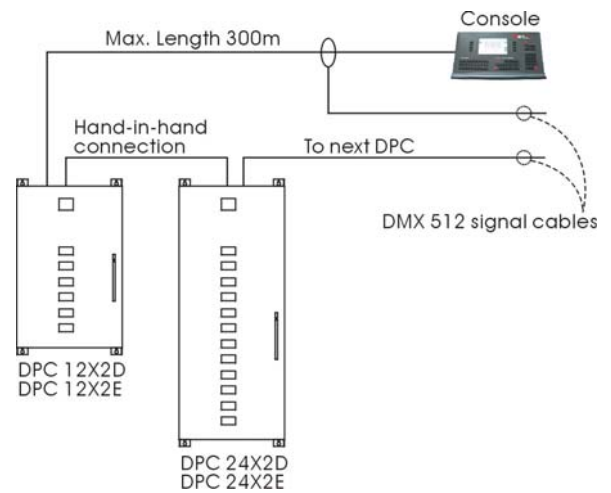
	Model No.	Ordering number
Cabinet	DPC24X2D-13A	A3M0
	DPC24X2D-25A	A3N0
	DPC12X2D-13A	A3G0
	DPC12X2D-25A	A3H0
Module	DPC-13D	A160
	DPC-25D	A170
	ADC-10L	A130
	ADC-20L	A150

Dimensions



Macostar reserves the right to change the specification without prior notice.
Macostar International Ltd: DPC-DATA - V1.4 A- 05 Oct 2012

Wiring Method



Modules

