

Macho Hoist Control System

MACHO HCS 210 17" Touch screen wall mount Hoist Control panel



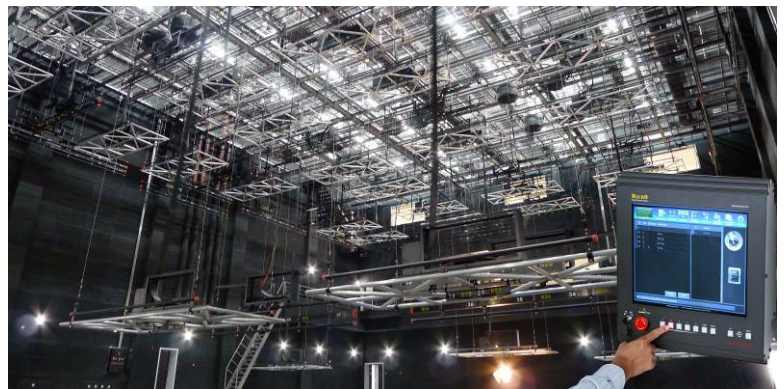
HCS 210 - front view



HCS 210 - rear view



HCS-210 is a member of Macho Hoist Control System designed for TV studios and small to medium sized theatres. The HCS-210 is a wall mounting touch screen control panel that controls up to 255 motorized winches including a number of variable speed motorized winches. The LCD touch screen allows any user to familiarize to it quickly. It also uses Motion-Status Arithmetic Engine (MSAE) to intelligently provide precise controlled response times. The flexible grouping control caters to the need for automatic movement and group assignment, label, or edit. The multi-level login provides administrator and operator to have different access to the system which also prevents unauthorized use. The HCS-210 comes with a wall mount bracket for wall installation.



Mechanical Data

Construction	Extruded aluminum top and bottom edges together with light weight rigid aluminum alloy sheets construction.
Paint / finish	Dark grey epoxy-polyester powder paint
Wall mounting	Wall mount bracket at the back of panel, supplied

Electrical Data

Power input	200V~240VAC, ON/OFF switch and START press button
Frequency	50 ~ 60 Hz
Motors	Max. 255 motors per system
Ethernet port	RJ45 socket
Emergency-stop	Local: front panel; remote: female XLR 3-pin socket
Cooling fan	Not required

Product Features

Control motions	Up, down and emergency stop
Safety alarms	<ul style="list-style-type: none"> * Position monitoring * Emergency stop * Over current * Over weight * Over travel limit * Logical upper/lower limits * Physical upper/lower limits * Slack wires
System Control	<ol style="list-style-type: none"> 1) Administrator: <ul style="list-style-type: none"> * Create & edit hoist system design * Account management for Operator level * Preset hoist system status 2) Operator: <ul style="list-style-type: none"> * Control the preset system
Hoist Control	<ol style="list-style-type: none"> 1) Individual 2) Groups <ul style="list-style-type: none"> * Group assign or edit * Group labeling * Automatic movement

Display Data

Screen	17" 4:3 TFT resistive touchscreen
Resolution	1280 X 1024
Contrast	1000 : 1
Viewing angles	H 170° / V 160°

Operational Data

Touch screen	Full functions operation
Keyboard	<ul style="list-style-type: none"> 5 GROUP buttons for grouping shortcut with back light; CLEAR button with back light; ENTER button with back light; UP and DOWN buttons for hoist movement control with back light; ON/OFF key for keyboard lock; E-stop button for emergency power cut off to all motors connected to the system.
Network	Ethernet connection available
System security	Two levels password access to the system: <ol style="list-style-type: none"> 1) administrator 2) operator

Installation Data

Mounting method	Fix to structural wall by 4 x M10 bolt at any orientation
Power connection	Connect to a 220VAC wall socket with IEC power cord

Environmental Data

Operation humidity	5-95% non-condensing
Operation temperature	0-40°C (32-104°F)
Installation place	indoor

Standards

CE LVD directives and standards complied	
CE EMC directives and standards complied	

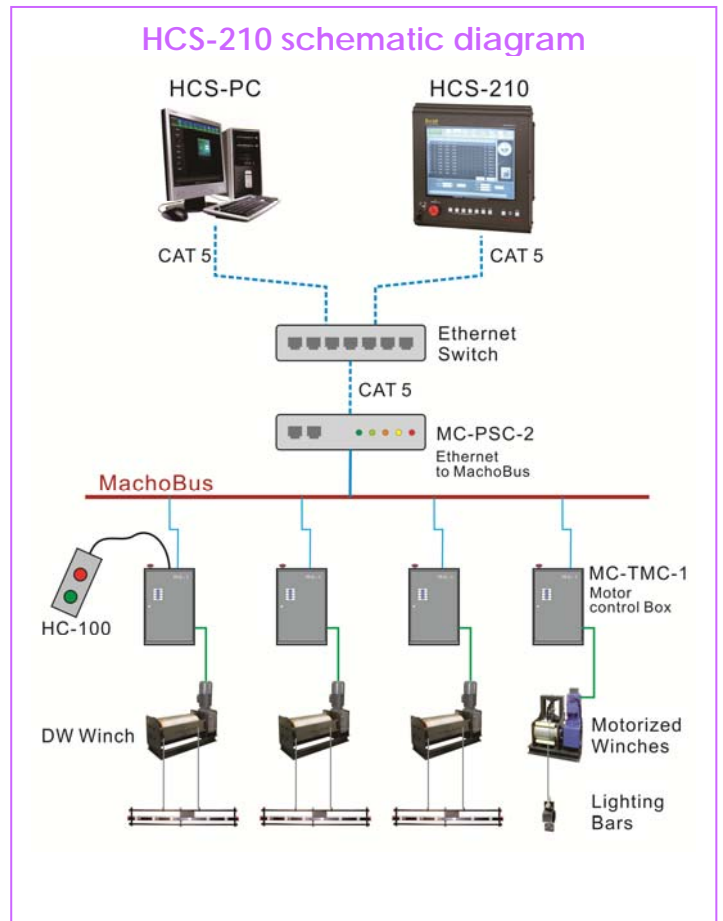
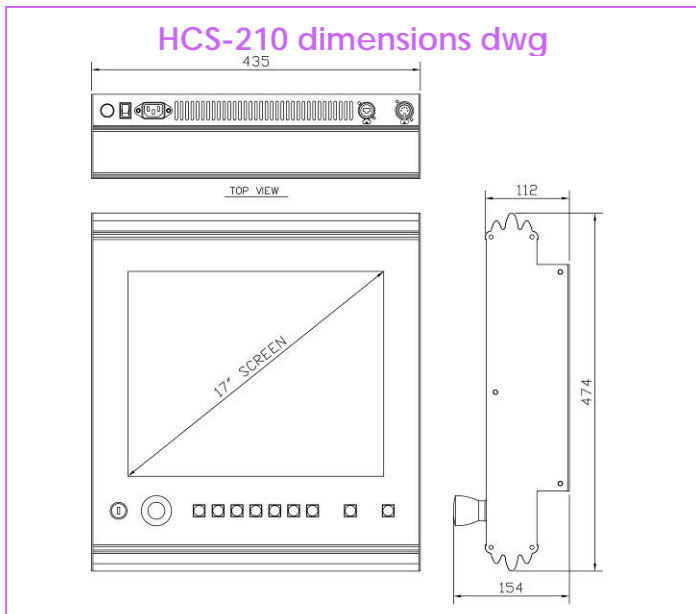
Physical Data

Model	HCS 210 / 210C
Weight	5kg
Size (mm)	W / H / D 435 * 474 * 154

Ordering Information

Model No.	Ordering number
HC -100	E3A0
HCS-210	
HCS-210C	
HCS-PC	
MC-TMC-1	E410
MC-PSC-2	W450

HCS -C= Console Server version



ISO 9001:2000
ISO 14001:2004

Macostar reserves the right to change the specification without prior notice.
Macostar International Ltd: Macho-HCS210 - V1.4 – 03 Jan 2013