

MacoLEDs R-Fresnel, 200W

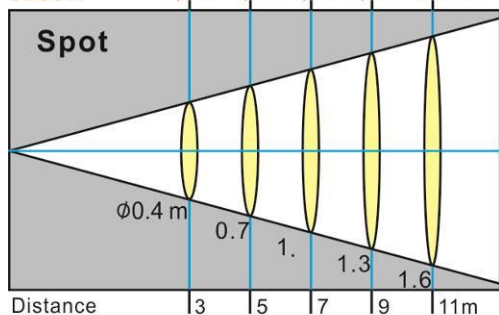
MacoLEDs RF 200C : 200Watt, 200mm LED Fresnel spotlight, 5600K
 MacoLEDs RF 200W : 200Watt, 200mm LED Fresnel spotlight, 3200K
 MacoLEDs RF 200C-P : 200Watt, 200mm LED Pole Operated Fresnel spotlight, 5600K
 MacoLEDs RF 200W-P : 200Watt, 200mm LED Pole Operated Fresnel spotlight, 3200K



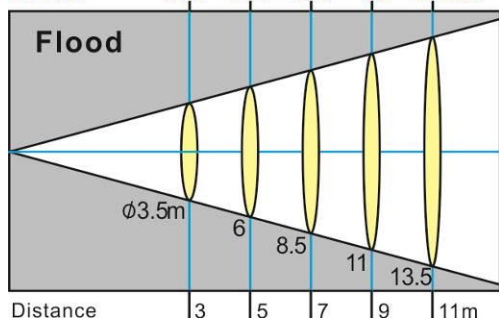
Pole Operated models:
 Pan, tilt and focus actions.
 MacoLEDs RF 200C-P
 MacoLEDs RF 200W-P

Photometric data: MacoLEDs RF- 200

5600K 10,475 3,771 1,924 1,164 779 Lux
3200K 9,033 3,252 1,659 1,004 672 Lux



5600K 836 301 154 93 62 Lux
3200K 681 245 125 76 51 Lux



The MacoLEDs RF200 Fresnel for theatre and TV reduce energy cost with latest high efficient LED module and PWM dimming power source. The 200 Watt white Fresnel spotlight provides high lumen output and close to skin tone color rendering (CRI 90+). The fixture features an intuitive dialing control knob and a 2.8" LCD screen showing DMX address, temperature of LED engine, dimming value, show mode and control mode at a glance for easy and direct operations.

Mechanical Data

Construction	Extruded aluminum alloy and steel plates to form light weight and rigid fixture construction.
Paint / finish	Black anodized & epoxy-polyester powder paint
Mounting & suspension	steel stirrup with 12mm centre hole + DIN mounting
lens	200mm glass fresnel lens
handle	rear
Safety bond	Black
Color frame & safety guard	Metal 245 x 245mm, black

Electrical Data

Light source	1 x 200 Watt LED array, white
Power input	100~240V AC single phase PowerCon , Locking 3 pole connector, Blue
Power output	PowerCon , Locking 3 pole connector, white
Frequency/Current	50/60Hz – 1.05A
Power consumption	205W at full power, 3W in sleep mode
Power or DMX loss	Last Scene Hold
Cable	2m, 3 x 1.5mm ² flexible cable to bare ends
Standard compliance	EN60598-2-17, CE marked

Operational Data

Working position	Max. tilting +45° -90° from horizontal
Focus adjustment	Screw-focus with rear control knobs
Beam angle	8° - 60° (Half peak angle)
Beam shaping	Using barn door accessory
DMX channel	1 dimming channel, 4 optional control attributes
RDM	ANSI E1.20-2006 RDM
Dimming	0 -100%, better 10,000:1, DMX or local dimming knob control,
LED temperature	Built-in sensor real time monitoring
Fan speed control	Automatically adjustable or 4 fan-speed levels
Built-in effects	8

LED type

200W x 1	Taiwan, white LED lamp, approx. 50,000hrs at 25°C max.
Beam color temperature	3200K and 5600K
CRI (Color Rendering Index)	Ra 92

Accessories included

Safety bond(x1); Metal color frame(x1); Safety guard (x1)

Optional accessories for MacoLEDs

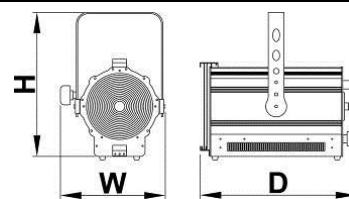
4-leaf barn door, 8-leaf barn door
 Hook clamp
 Spare Safety bond, metal color frame, safety guard

Environmental Data

Operation humidity	5-95% non-condensing
Operation temperature	0-35°C (32-95°F)
Installation place	Indoor

Physical Data

Model	RF200
Weight	8.9 kg
Size	W / H / D
mm	280*435*490



Ordering information

Model	Ordering code	Packing size (cm)
MacoLEDs RF 200C (5600K)	F290	61*39*43
MacoLEDs RF 200W (3200K)	F2A0	61*39*43
MacoLEDs RF 200C-P (5600K)	F2D0	61*39*43
MacoLEDs RF 200W-P (3200K)	F2E0	61*39*43