

Isolated DMX Merger

DMR42F	4 Channels Front access
DMR42R	4 Channels Rear access



The DMR42 provides 2 optical isolated DMX outputs to protect the control console from being damaged by the high voltage feedback from the faulty dimmer channels. DMR42 can connect max 4 consoles and provides a simple means of backup for the connected consoles, either fully redundant backup or simple scene store and playback in case of main console failure during operation.

DMR42R

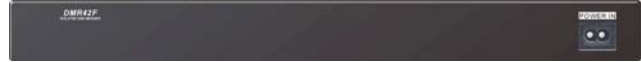


DMR42F

FRONT VIEW



REAR VIEW



Ordering Information

DMR42F	B130
DMR42R	U360

Mechanical Data

Construction	Rigid aluminium alloy extrusion front panel, Chassis made of steel sheet construction.
Paint / finish	Black anodized front panel, steel chassis coated with black epoxy-polyester powder paint.
Mounting	19", 1U standard rack mounting, detachable mounting brackets.
Handle	Rigid engineering plastic handles.

Electrical Data

Power input	100~240VAC / 0.8Amp
Frequency	50Hz ~ 60 Hz
DMX input	XLR 5-pin male input & XLR 5-pin female loop-out x 4 pairs
DMX output	XLR 5-pin female x2

Operation Data

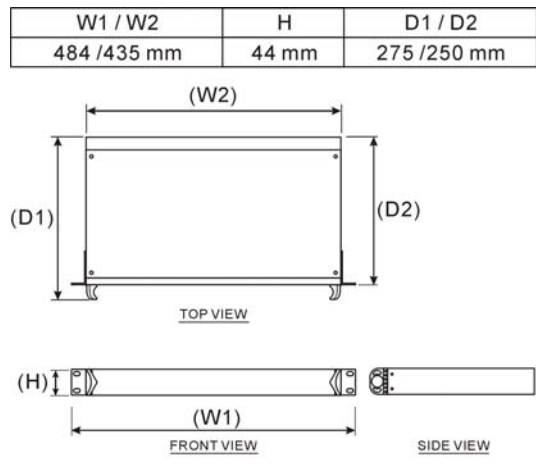
Input Signal	USITT DMX512
Output Signal	USITT DMX512
Function keys	10-digit dip-switch
Input DMX signal loss	Last scene hold / Clear / Idle
Merger modes	HT Precedence / LT Precedence / Priority
Reset	By local button
LED status indicators	Red=power / Green=system / Amber=signals

Environmental Data

Operation humidity	5~95% non-condensing
Operation temperature	0~40°C (32~104°F)

Physical Data

Model	DMR42F	DMR42R
Net weight	3.1 kg	3.1 kg
Gross weight	3.9 kg	3.9 kg
Packing size (mm)	W / D / H 590*410*140	W / D / H 590*410*140



Macostar reserves the right to change the specification without prior notice
Macostar International Ltd: Match - DMR42 - DATA - V1.5- 08 Mar 2010