

**Isolated DMX Ports**

- iDIP-1 Isolated DMX Input Port, 1 Universe
- iDOP-1 Isolated DMX Output Port, 1 Universe



The Match series Isolated DMX Ports are designed for easy connection of any DMX devices into theatrical or TV DMX lighting system. They are compatible with any standard DMX devices, ranging from lighting control console, moving light to simple smoke machine. They provide isolated and amplified DMX signal for connected devices. Built-in indicator LED lights provide easy trouble-shooting on DMX signal routing problem.

**iDIP-1**

Isolated DMX Input Port, 1 Universe



**Mechanical Data**

Construction	Standard 1 gang (85x85mm) wall panel made of cold pressed forming stainless steel plate.
Finish	Natural steel color

**Electrical Data**

Power input	12VDC, 100mA
DMX signal	Input / output, optical isolated 2500VRMS, full 512 channels
DMX channel	USITT DMX 512-A
Connector	XLR 5-pin male (iDIP-1); XLR 5-pin female (iDOP-1)
Terminal	3.5mm pluggable terminals

**Operation Data**

Red LED power indicator	ON when 12VDC present
Red / green LED signal indicator (iDIP-1)	Red flashes when DMX bus occupied by others; Green flashes when console plug in with DMX sending; OFF when no DMX signal in the DMX bus.
Green LED signal indicator (iDOP-1)	Flashes when DMX present

**iDOP-1**

Isolated DMX Output Port, 1 Universe



**Installation Data**

Back box	Suitable for standard BS 4662 Back box
Connection	Daisy chain connection for both signal and power
Mixed connection	Max 32 iDIP-1 & iDOP-1 can be connected in the same run

**Environmental Data**

Operation humidity	5-95% non-condensing
Operation temperature	0-40°C (32-104°F)

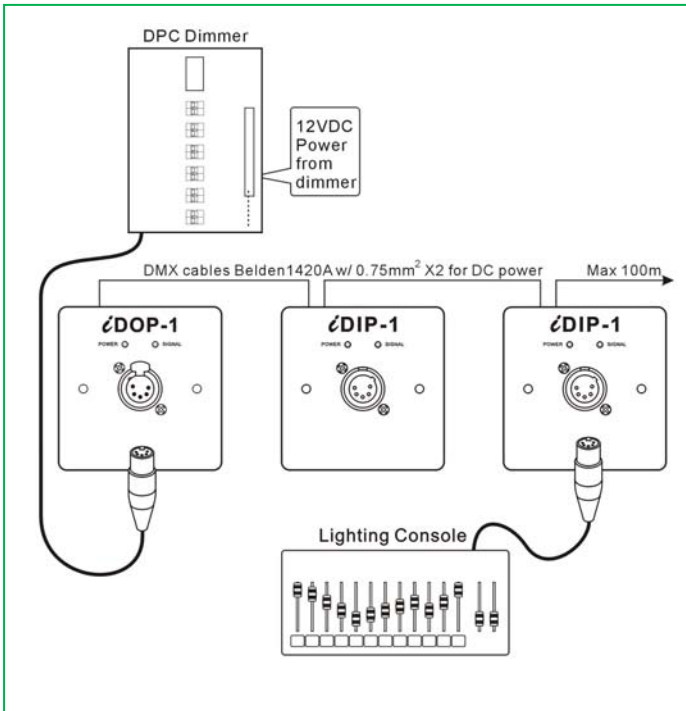
**Physical Data**

Model	iDIP-1	iDOP-1
Size	H85*W85*D40	H85*W85*D40
Net weight	0.15 kg	0.15 kg
Gross weight	0.2 kg	0.2 kg
Packing size	Bulk pack, each in a plastic bag	

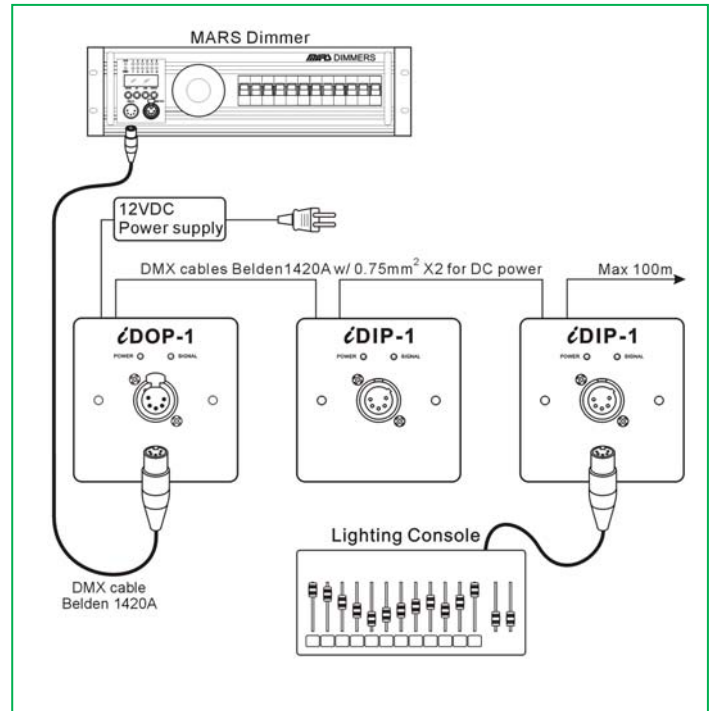
**Ordering Information**

Model	Ordering number
iDIP-1	B7J0
iDOP-1	B7H0

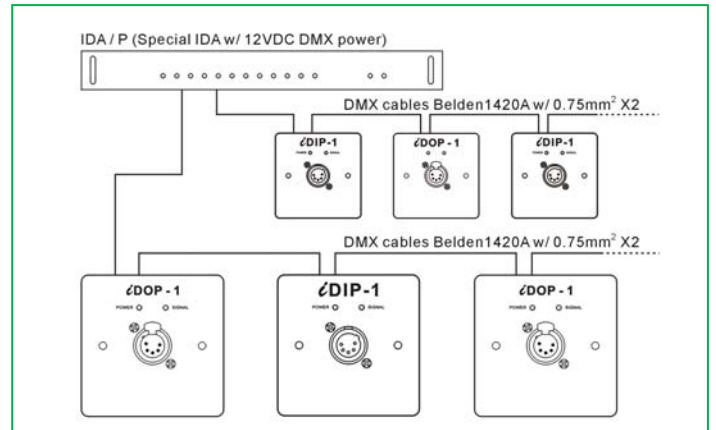
⚡DIP-1 installation diagram with DPC



⚡DIP-1 installation diagram with MARS



⚡DIP / ⚡DOP-1 installation diagram with IDA/P DMX



Macostar reserves the right to change the specification without prior notice  
Macostar International Ltd: Match-IDOP- DATA - V1.2 - 27 Jun 2011