

H a n d W i n c h e s

Medley M3-250	Hand winch, 3-line,	250kg
Medley M4-250	Hand winch, 4-line,	250kg

CE EN 13157:2004

The Medley Hand Winches are designed for general rigging purposes and particularly for school halls and community halls application. The manually operated winches are durable, dependable, safe to use and maintenance free. The Medley hand winches conveniently raises and lowers lighting battens and scenery bar to max. 250 kg. The rotating gears and wire drum are well covered providing maximum protection. Drum locking device provides a secondary load holding to prevent unauthorized use. Removable winch handle to avoid unintentional operation.

Mechanical Data

Construction	The main housing and rope drum are made of sturdy steel plate. The hand winch is rigid and the solid steel shaft machined worm gear operates in an enclosed construction and therefore requires little maintenance.
Paint / finish	Steel chassis coated with grey epoxy-polyester powder paint.
Brake system	Machined carbon steel ratchet and spring loaded pawls.
Winch handle	Adjustable handle radius from 260-360mm and detachable under load.

M3-250

M4-250



Locking device provides a complementary load holding and prevent unauthorized access.
 Drum Locked Drum in locking position Unlocked



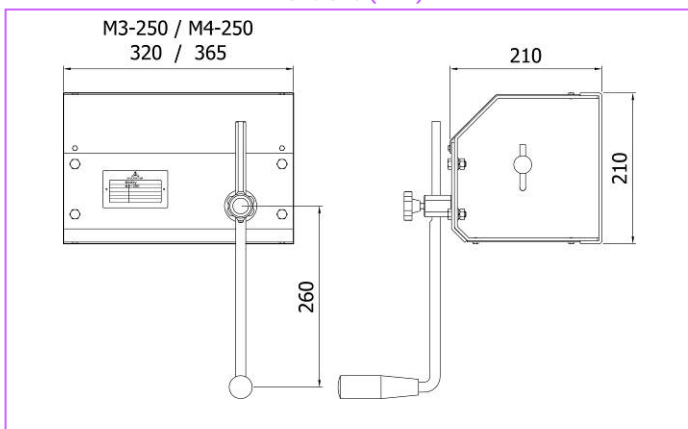
Installation Data

Mounting	Wall mounted by 4 x M12 screws (not included)
Fixing steel wire	Tapered key holes at drum to fasten steel wire ends with stopper sleeves.
Top cover	Dismountable for fixing steel wires and making visual inspection easy.

Performance Data

SWL	250 kg
Wire rope diameter	5 mm
Wire rope capacity 1 st layer	1.65m
Wire rope capacity total	20 m
Max no. of wire rope layer	10
Lift per crank rotation (1 st layer)	20mm
Lift per crank rotation (10 th layer)	40mm
Transmission ratio	12:1
Crank operating effort(1 st layer)	6 kg at rated load
Braking	Automatic braking for lifting and lowering, contains NO asbestos.
Min load	5 kg

Dimensions (mm)



Macostar reserves the right to change the Specification without prior notice.
 Macostar International Ltd.
 Medley-handwin250 - DATA - V5.2 - 02 Sept 2011



Standards

EC machinery directive	EN ISO 12100-1; EN ISO 12100-2; EN ISO 14121-1; EN 13157;
------------------------	--

Ordering Information

Model	Number of Wires	Order number
Medley M3-250	3	EA10
Medley M4-250	4	EA20

Physical Data

Model	M3-250	M4-250
Net weight	20 kg	24 kg
Gross weight	22 kg	26 kg
Packing size	W / D / H 440*285*330	W / D / H 440*285*330