

Head Blocks

Medley HB15-3	Head block, 3-line
Medley HB15-4	Head block, 4-line
Medley HBX15-3	Head block, extended mounting base, 3-line
Medley HBX15-4	Head block, extended mounting base, 4-line

Loft Blocks

Medley LB15-1	Loft block, 1-line
Medley LB15-2	Loft block, 2-line
Medley LB15-3	Loft block, 3-line
Medley LB15-4	Loft block, 4-line
Medley LBX15-1	Loft block, extended mounting base, 1-line
Medley LBX15-2	Loft block, extended mounting base, 2-line
Medley LBX15-3	Loft block, extended mounting base, 3-line
Medley LBX15-4	Loft block, extended mounting base, 4-line

The Medley blocks are designed for general rigging purposes, particularly for school halls and community halls application. They are robust, made of durable materials, flexible in installation, orientation and maintenance free. Standard sheave diameter 150mm is offered with line numbers selection.



Mechanical Data

Side Plates	Side plate fully enclosed sheave, certified as Q235A GB700-88 standard. HBX/LBX: 2.3mm thick side plates HB/LB: 4mm thick side plate
Finishing	Black epoxy-polyester powder paint.
Bearing	6202-2ZN 15mm Sealed precision ball bearings.
Spacers	4 spacers between side plates to prevent cables from escaping the sheave grooves.
Sheave material	Dia 150mm, Grey iron GB/T 9439-88 HT-200 (equi. ASTM class 30), painted in black.
Base angle plate	30x30x3mm, certified as GB 9788-88 standard HBX/LBX: 400mm long with a continuous pattern of holes and slots 58mm separation, for universal mounting for a grip range up to 340mm. HB/LB: 212mm long for a grip range up to 160mm.

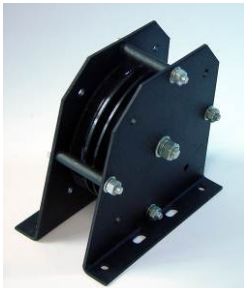
LB15-1



LBX15-1



LB15-2



LBX15-2



Installation Data

Mounting orientation	Upright or underhung
Support by	I- beams II- Unitrut III- Grid well made of dia 50mm steel barrels
Mounting bolt	4x U-bolts with nuts for dia 50mm barrel included.

Performance Data

SWL	200Kg
Design safety factor	3.5
Tested safety factor	17.5
Steel cable	Dia 3-5mm

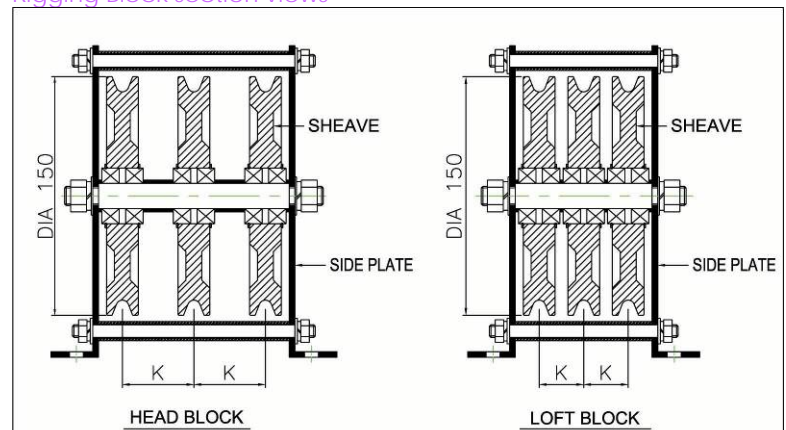
HB15-3



HBX15-4



Rigging Block section views



Medley Head Block

Ordering Code	Model No.	Line	L (mm)	H (mm)	W (mm)	WH (mm)	LH (mm)	A (mm)	B (mm)	C (mm)	K (mm)	Weight (Kg)
TA33	Medley HB15-3	3	212	196	185	148	58	31	176.5	26.5	45	8.3
TA43	Medley HB15-4	4	212	196	230	193	58	31	176.5	26.5	45	10.2

Medley Head Block, Extended Mounting Base

Ordering Code	Model No.	Line	L (mm)	H (mm)	W (mm)	WH (mm)	LH (mm)	A (mm)	B (mm)	C (mm)	K (mm)	Weight (Kg)
TA34	Medley HBX15-3	3	400	196	185	148	58	125	176.5	26.5	45	8.8
TA44	Medley HBX15-4	4	400	196	230	193	58	125	176.5	26.5	45	10.7

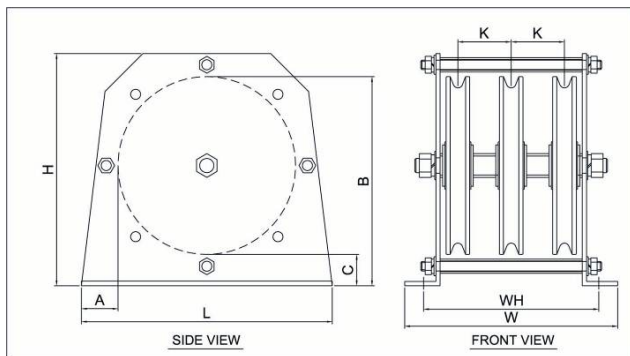
Medley Loft Block

Ordering Code	Model No.	Line	L (mm)	H (mm)	W (mm)	WH (mm)	LH (mm)	A (mm)	B (mm)	C (mm)	K (mm)	Weight (Kg)
TA11	Medley LB15-1	1	212	196	95	58	58	31	176.5	26.5	---	4.5
TA21	Medley LB15-2	2	212	196	123.5	87	58	31	176.5	26.5	28.5	6.2
TA31	Medley LB15-3	3	212	196	152	115	58	31	176.5	26.5	28.5	7.9
TA41	Medley LB15-4	4	212	196	180.5	144	58	31	176.5	26.5	28.5	9.8

Medley Loft Block, Extended Mounting Base

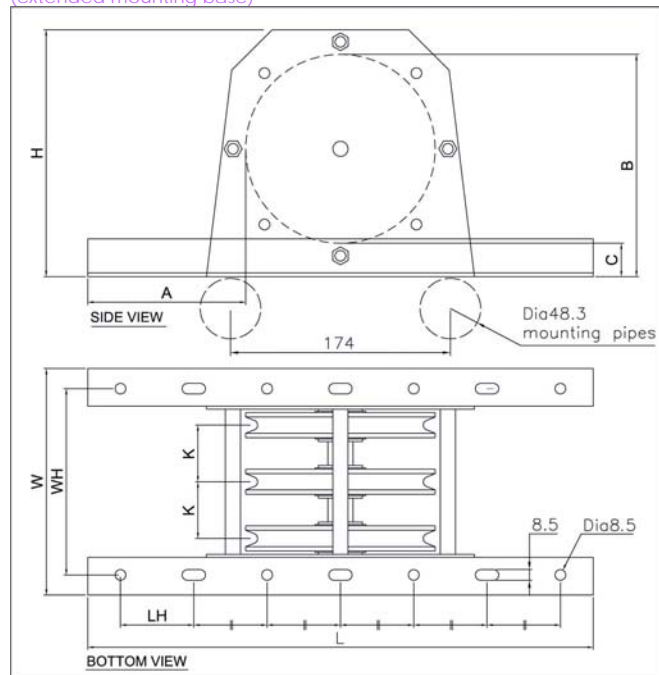
Ordering Code	Model No.	Line	L (mm)	H (mm)	W (mm)	WH (mm)	LH (mm)	A (mm)	B (mm)	C (mm)	K (mm)	Weight (Kg)
TA12	Medley LBX15-1	1	400	196	95	58	58	125	176.5	26.5	---	5
TA22	Medley LBX15-2	2	400	196	123.5	87	58	125	176.5	26.5	28.5	6.7
TA32	Medley LBX15-3	3	400	196	152	115	58	125	176.5	26.5	28.5	8.4
TA42	Medley LBX15-4	4	400	196	180.5	144	58	125	176.5	26.5	28.5	10.2

HB and LB Blocks Dimensions Guide



HBX and LBX Blocks Dimensions Guide

(extended mounting base)



Macostar reserves the right to change the specification without prior notice.
Macostar International Ltd: Medley-riggingblks - DATA - V1.4 - 14 Feb 2012