

Ordering Information

Model	Ordering number
GSW - A3	T001
GSW - A5	T002
BAS - A3	T003
BAS - A5	T004
BAS - F5	

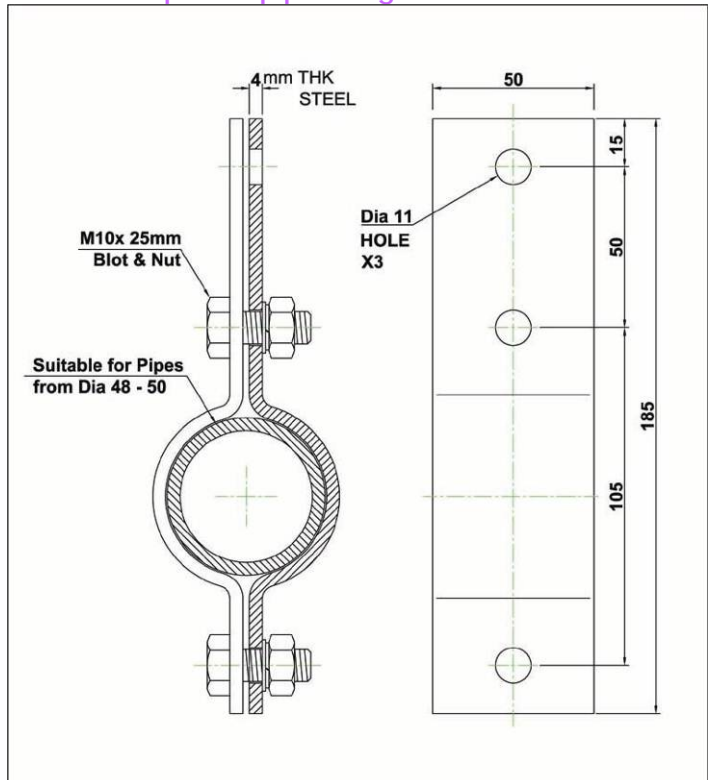
Wire rope assembly – standard barrel clamps



Wire rope assembly – Diverter pulley barrel clamps



Barrel Clamps and pipe fitting



Macostar reserves the right to change the specification without prior notice.
Macostar International Ltd: Medley-wirerope - DATA - V1.3 - 27 Jun 2011